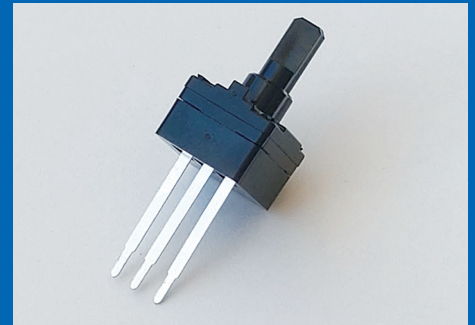


Rotary Sensor

– MRS09 – UNDER DEVELOPMENT

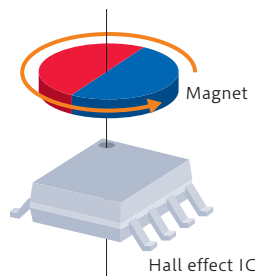
» SUMMARY

Noble is planning introduction of our first non-contact rotary sensor with a Hall effect IC. Evolving from the conventional mechanical type (contact brush) to a non-contact type (brushless) version brings high precision and long life.



» FEATURES

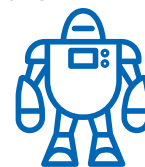
- 1 **High accuracy**
▶ Linearity 1% or less
- 2 **Long life**
▶ 10 million cycles or more
- 3 **Wide angle detection**
▶ Effective electrical angle 360°



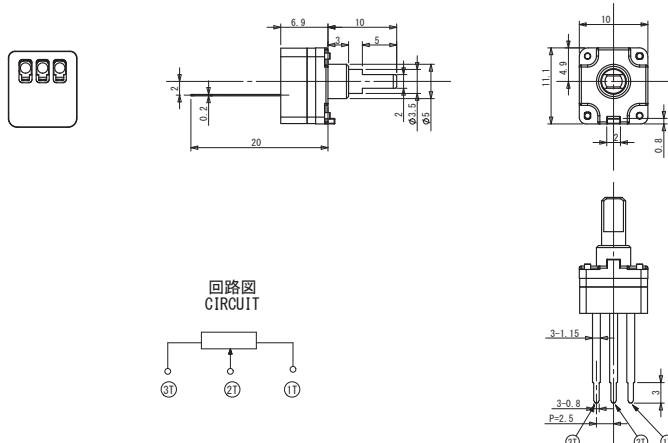
» PRODUCT APPLICATIONS

Position and angle detection for toys and industrial equipment

- Radio control
- Toy robot
- Drone



» BASIC SPECIFICATIONS



- Operating Voltage: 3.3V DC
- Full rotational angle: Endless
- Effective electric angle: Endless
- Linearity: +/- 1% or less
- Specified range of linearity: 320 degrees (Tentative)
- Operating temperature: -40 degrees C to 85 degrees C (Target)
- Rotational life: 10,000,000 cycles or more