

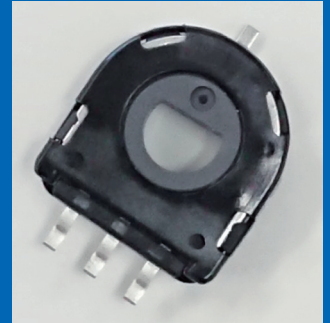
Rotary Sensor

Z Series 11mm size

» SUMMARY

11mm SMD Rotary Sensor with recently developed base material. Extended life has been achieved over conventional products through enhancement of the base material and carbon paste composition. Offers increased reflow capability, with a compact size and easy to use sensing function.

RoHS compliant and suitable for reflow soldering.



» FEATURES

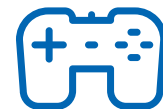
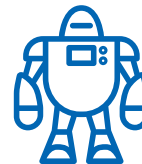
Improved Rotational Life

- ▶ Realized 10,000,000 cycles

Extended life provided through layered improvements ranging from component material and carbon paste composition to manufacturing processes.

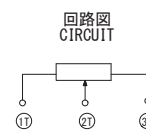
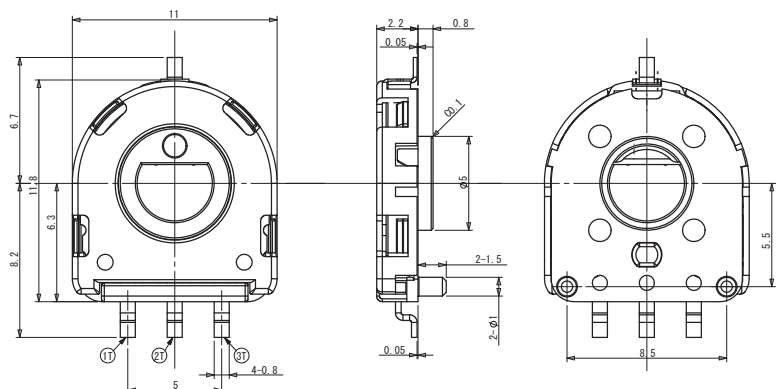
» PRODUCT APPLICATIONS

- Angle detection for toy robot joint
- Position detection for game, radio and drone controllers



» BASIC SPECIFICATIONS

External dimension



- Nominal total resistance: 10Kohm
- Rated voltage: 5V DC
- Mechanical rotation angle: Endless
- Electrical rotation angle: 333 degrees
- Guaranteed range of linearity: 320 degrees
- Linearity: +/-2%
- Operating temperature: -40 degrees C to 85 degrees C
- Rotational Life: 10,000,000 cycles