

FEATURES

- High performance switches created by incorporating NOBLE's Film Integration Technology.
- The ambient temperature 85°C is endured.
- Conform RoHS

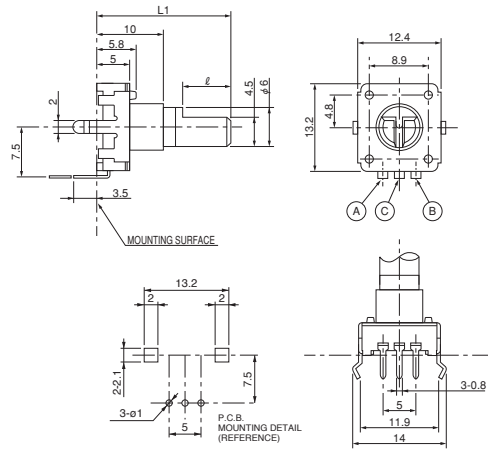
特長

- ノーブルのフィルムインテグレーションテクノロジーが生んだ小型高性能信号スイッチです。
- 周囲温度85°Cに耐える。
- RoHS適合品です。

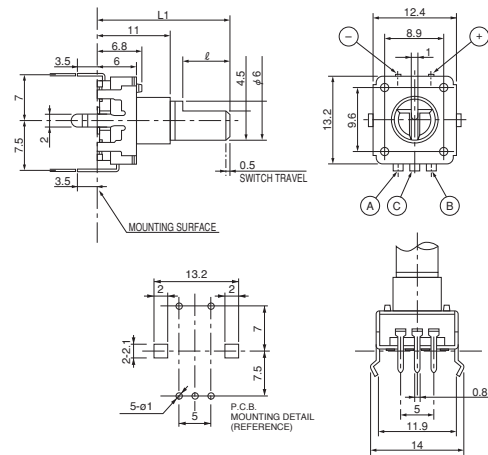
DIMENSIONS

外形寸法

XRE0127PVB
(Insulated Shaft)



XRE0128PVB
(Insulated Shaft)
(with Push-Momentary Switch)

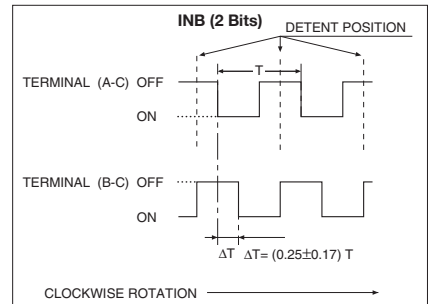


INCREMENTAL OUTPUT SIGNAL

(for 24PC Type)

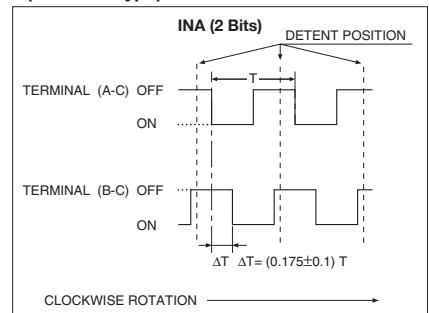
Output signal B at the detent position is not specified.

B位相のクリック安定度の規定はできません



INCREMENTAL OUTPUT SIGNAL

(for 12 PC Type)



SPECIFICATIONS

仕様

	24PC Type	12PC Type
Type of Output Signal 出力信号の種類	INB (2 Bits)	INA (2 Bits)
Operating Temperature Range 使用温度範囲	-30 to 85°C	-30 to 85°C
Rated Voltage/Rated Current 定格電圧/電流	DC 5V 0.5mA	DC 5V 0.5mA
Resolution 分解能	24 Pulses/360°	12 Pulses/360°
Total Rotational Angle 全回転角度	360° Endless	360° Endless
Detent Position and Angle クリック数、角度	24 Detents 15±3°	12 Detents 30±3°
Detent Torque クリックトルク	2 to 20 mN·m ※1	2 to 20 mN·m ※1
Rotational Life 耐久性 (しゅう動)	30,000 cycles	30,000 cycles

※ If you need the product with a heavy torque, or increase bushing, please request it.

Specification of Push-Momentary Switch (XRE0128 PVB Only)

Circuit 回路	SPST
Rated Voltage/Rated Current 定格電圧/電流	DC 5V 10mA
Contact Resistance 接触抵抗	100Ω max.
Insulation Resistance 絶縁抵抗	10MΩ min. at DC 50V
Dielectric Strength 耐電圧	AC 50V for 1 minute
Travel 移動量	0.5mm
Operating Force 動作力	4 +1.5 -1.0 N
Operational Life 耐久性	20,000 actuations

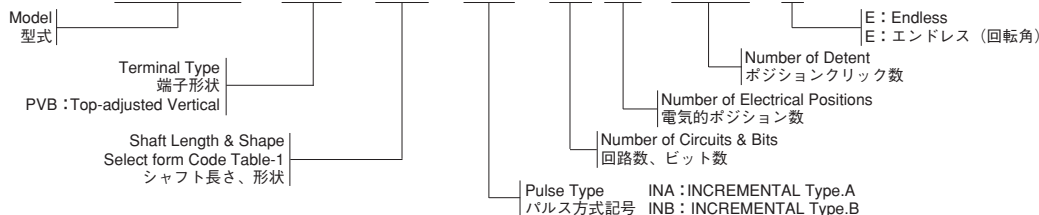
TYPE DESIGNATION

品名構成

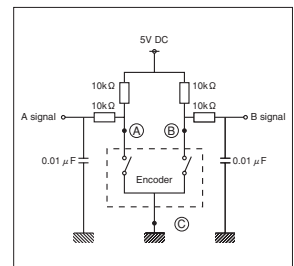
Example of indicating Order Number

注文番号の記載例

XRE0127 PVB 20F INB 1-2-24 - 24PC E



Circuit to be used



• Specifications in this catalog are presented basically for informative purposes.

We request the exchange of official approval drawings before placing order.

• 当カタログは参考仕様ですので、ご使用にあたっては正式納入仕様書の取り交わしをお願いします。