

Rotary Potentiometers ロータリポテンシヨメータ
 Multi-Section Potentiometers
 XVB93 Series

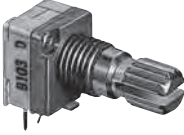
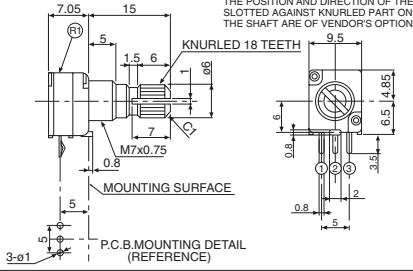
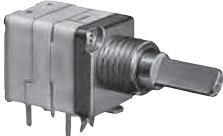
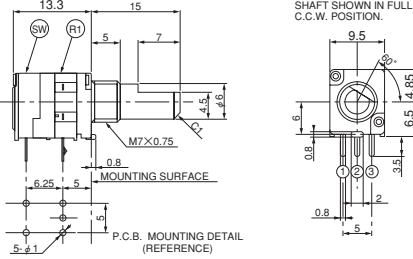
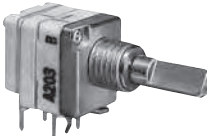
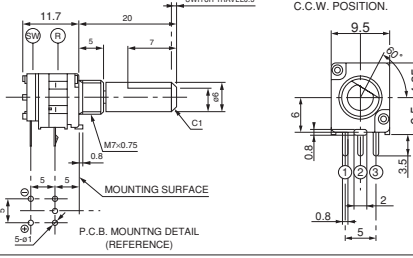
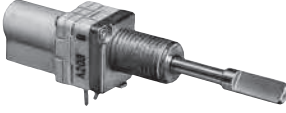
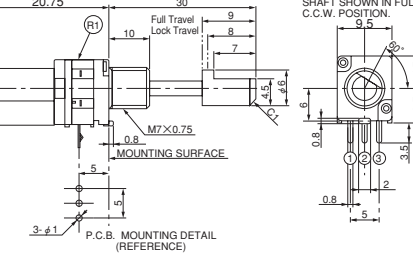
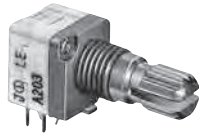
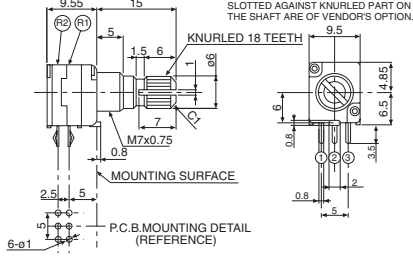
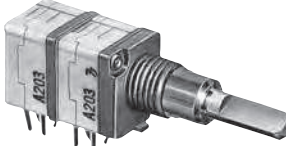
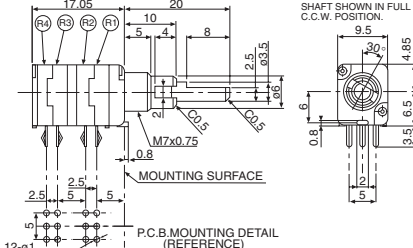
FEATURES

- Conform RoHS

特長

- RoHS適合品です。

DIMENSIONS 外形寸法

<p>XVB93PHPN Single-Element</p> 	 <p>7.05 15 0.8 5 1.5 6 0.8 7 0.8 5 3-ø1</p> <p>THE POSITION AND DIRECTION OF THE SLOTTED AGAINST KNURLED PART ON THE SHAFT ARE OF VENDOR'S OPTION.</p> <p>KNURLED 18 TEETH</p> <p>MOUNTING SURFACE</p> <p>P.C.B. MOUNTING DETAIL (REFERENCE)</p>
<p>XVB93S (C97ST) With Rotary Switch</p> 	 <p>13.3 15 0.8 5 7 0.8 4.5 0.8 5 6.25 5 5-ø1</p> <p>SHAFT SHOWN IN FULL C.C.W. POSITION.</p> <p>MOUNTING SURFACE</p> <p>P.C.B. MOUNTING DETAIL (REFERENCE)</p>
<p>XVB93S (D98SG) (With Push-Momentary Switch)</p> 	 <p>11.7 20 0.8 5 7 0.8 4.5 0.8 5 5 5-ø1</p> <p>SWITCH TRAVEL 0.5</p> <p>SHAFT SHOWN IN FULL C.C.W. POSITION.</p> <p>MOUNTING SURFACE</p> <p>P.C.B. MOUNTING DETAIL (REFERENCE)</p>
<p>XVB93M1N Push-Lock mechanism</p> 	 <p>20.75 30 10 9 8 7 0.8 4.5 0.8 5 3-ø1</p> <p>Full Travel Lock Travel</p> <p>SHAFT SHOWN IN FULL C.C.W. POSITION.</p> <p>MOUNTING SURFACE</p> <p>P.C.B. MOUNTING DETAIL (REFERENCE)</p>
<p>XVB93GHPN Dual-Element</p> 	 <p>9.55 15 0.8 5 1.5 6 0.8 7 0.8 5 2.5 5 6-ø1</p> <p>THE POSITION AND DIRECTION OF THE SLOTTED AGAINST KNURLED PART ON THE SHAFT ARE OF VENDOR'S OPTION.</p> <p>KNURLED 18 TEETH</p> <p>MOUNTING SURFACE</p> <p>P.C.B. MOUNTING DETAIL (REFERENCE)</p>
<p>XVB93DG4PHPN Dual Concentric Shaft (Dual-Element) × 2</p> 	 <p>17.05 20 10 8 2.5 0.8 4.5 0.8 5 2.5 2.5 5 12-ø1</p> <p>SHAFT SHOWN IN FULL C.C.W. POSITION.</p> <p>MOUNTING SURFACE</p> <p>P.C.B. MOUNTING DETAIL (REFERENCE)</p>

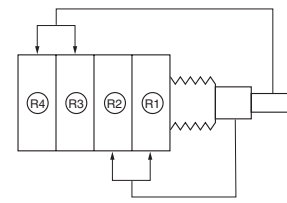
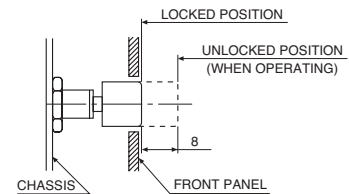
SPECIFICATIONS

Total Rotational Angle 全回転角度	300±5°
Rotational Torque 回転トルク	Single Shaft Type : 2 to 15 mN·m
Nominal Total Resistance 公称全抵抗値	20kΩ, 50kΩ, 100kΩ
Total Resistance Tolerance 全抵抗値許容差	Within ±20% of the nominal total resistance
Resistance Taper 抵抗変化特性	1B, 3B, 15A
Rated Power 定格電力	0.05W
Maximum Operating Voltage 最高使用電圧	AC50V, DC10V

Switch Rating: DC16V 3A (SPST)

Switch Rating: DC12V 0.5A (SPST)

Push-Lock mechanism



• Specifications in this catalog are presented basically for informative purposes.
 We request the exchange of official approval drawings before placing order.
 • 当カタログは参考仕様ですので、ご使用にあたっては正式納入仕様書の取り交わしをお願いします。