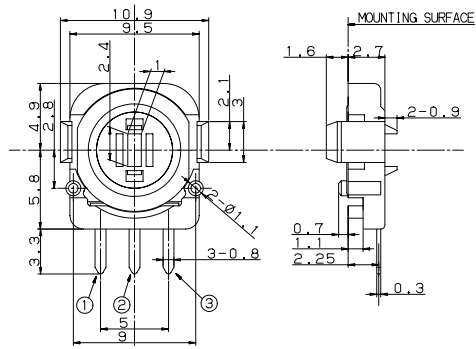


XV09912PHNSL-0B30K

(Shaft of hollow type)



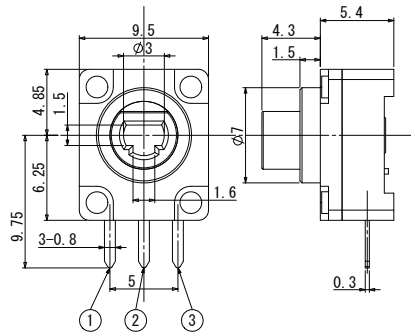
④



XV09914NPH7.75F0B10K



⑤

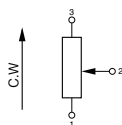


SPECIFICATIONS

仕様

	① XV09411 (XV09421)	② XV04	③ XV0711	④ XV09912	⑤ XV09914
Operating Temperature Range 使用温度範囲	-10 to 70°C	-10 to 70°C	-10 to 70°C	-10 to 70°C	-10 to 70°C
Rated Power 定格電力	0.05W	0.01W	0.01W	0.0125W	0.01W
Maximum Operating Voltage 最高使用電圧	DC6V	DC5V	AC5V,DC5V	DC5V	DC5V/AC50V
Nominal Total Resistance 公称全抵抗値	5kΩ	5kΩ	5kΩ	30kΩ	10kΩ
Total Resistance Tolerance 全抵抗値許容差	Within ±20% of the nominal total resistance			Within ±30% of the nominal total resistance	
Resistance Taper 抵抗変化特性	0B	0B	0B	0B	0B
Insulation Resistance 絶縁抵抗	100MΩ at DC100V	100MΩ at DC100V	100MΩ at DC100V	100MΩ at DC100V	100MΩ at DC100V
Dielectric Strength 耐電圧	AC100V	AC100V	AC100V	AC100V	AC100V
Total Rotational Angle or Travel 全回転角度、操作距離	220±5° (260±5° is option)	Endless (effective rotational angle 280°)	Endless (effective rotational angle 280°)	70±5° (effective rotational angle 64°)	45±5° (effective rotational angle 34.5±3°)
Rotational Torque or Operating Force 回転トルク、作動力	3mN·m max.	2mN·m max.	5mN·m max.	0.5+1/-0.4mN·m	5mN·m max.
Rotational Stop Strength of the Shaft or Slide Stop Strength of the Lever シャフトの回転止め強さ しゅう動止め強さ	100mN·m	-	-	50mN·m	50mN·m
Endurance(Sliding)* 耐久性(しゅう動)	1,000,000 cycles	300,000 cycles	500,000 cycles	5,000,000 cycles	5,000,000 cycles

Circuit



- Specifications in this catalog are presented basically for informative purposes.
We request the exchange of official approval drawings before placing order.
- 当カタログは参考仕様ですので、ご使用にあたっては正式納入仕様書の取り交わしをお願いします。