

Slide Potentiometers  
XVJ Series

スライドポテンシオメータ

FEATURES

- All series are united by the width of 9mm.
- Excellent slide operation feeling
- An auto dip can correspond.
- Conform RoHS

特長

- 全シリーズを9mm幅で統一
- 優れたスライド操作感
- オートディップ対応が可能です。
- RoHS適合品です。

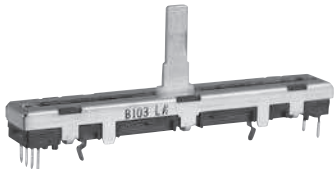
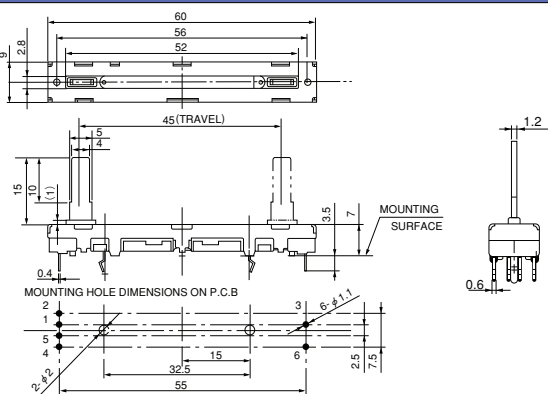
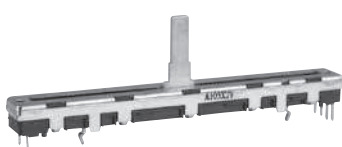
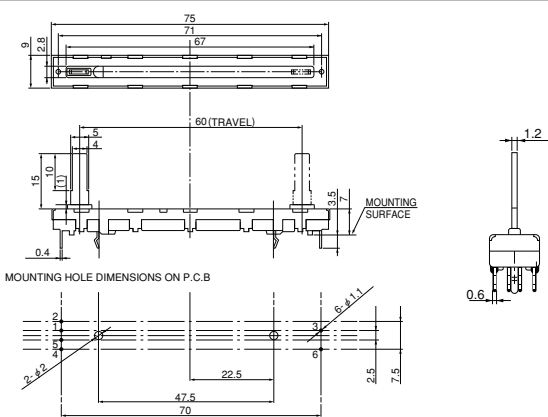

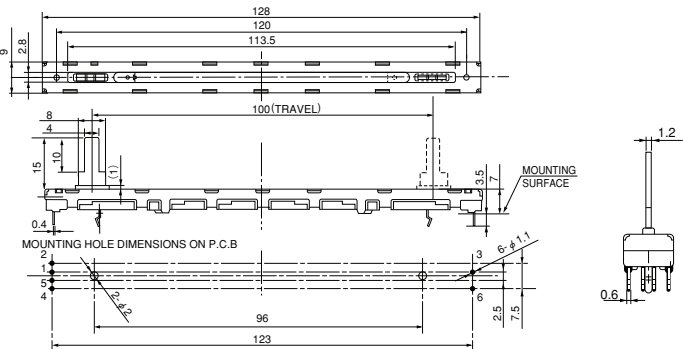
APPLICATIONS

Volume & Tone quality adjustment such as audio mixers

用途

オーディオミキサーなどの音量・音質調整

**DIMENSIONS** 外形寸法

| Model  | External Dimensions   |
|--|---|
| <p><b>XVJ45</b></p> <p>(45mm Travel)</p>      | <p>Example of indicating Order Number : Single Type XVJ45NPV15C-15A20K</p> <p>Dual Type XVJ45GPV15C-15A20K</p>     |
| <p><b>XVJ60</b></p> <p>(60mm Travel)</p>    | <p>Example of indicating Order Number : Single Type XVJ60NPV15C-15A20K</p> <p>Dual Type XVJ60GPV15C-15A20K</p>    |
| <p><b>XVJ100</b></p> <p>(100mm Travel)</p>  | <p>Example of indicating Order Number : Single Type XVJ100NPV15C-15A20K</p> <p>Dual Type XVJ100GPV15C-15A20K</p>  |

● Specifications in this catalog are presented basically for informative purposes.  
We request the exchange of official approval drawings before placing order.  
● 当カタログは参考仕様ですので、ご使用にあたっては正式納入仕様書の取り交わしをお願いします。

Slide Potentiometers  
XVJ Series

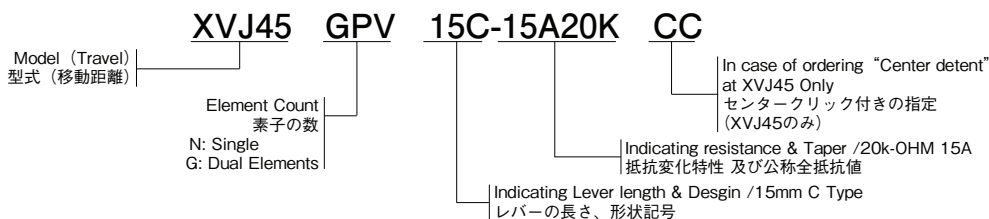
スライドポテンシオメータ

TYPE DESIGNATION

品名構成

Example of indicating Order Number

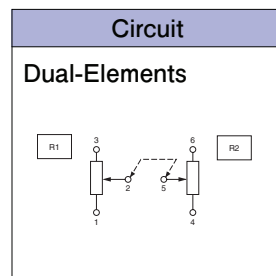
注文番号の記載例



SPECIFICATIONS

仕様

|  | XVJ45NPV<br>XVJ60NPV<br>XVJ100NPV  | XVJ45GPV<br>XVJ60GPV<br>XVJ100GPV           |
|--|--|---|
|  | Single-Element(R2 side of the circuit is a dummy)  | Dual-Elements                               |
| Operating Temperature Range<br>使用温度範囲        | -10 to 60°C  |   |
| Rated Power<br>定格電力                          | 0.05 W   |   |
| Rated Voltage<br>定格電圧                        | DC10V,AC10V  |   |
| Nominal Total Resistance<br>公称抵抗値            | 10kΩ,20kΩ,50kΩ,100kΩ   |   |
| Resistance Tolerance<br>全抵抗値許容差              | Within ±20 % of the nominal total resistance   |   |
| Resistance Taper<br>抵抗変化特性                   | 1B,3B,15A,15C<br>Center Tap 3BM, 15AM (XVJ45 Only)   |   |
| Amount of the maximum attenuation<br>最大減衰量   | 75dB min. at 10kΩ (Nominal Total Resistance)<br>80dB min. at 20kΩ ≧(Nominal Total Resistance)<br>Please request at 100dB of attenuation. |   |
| Insertion loss<br>挿入損失                       | 0.1dB Max.   |   |
| Tracking Error<br>相互偏差                       | -  | Within ±3dB at 0 to 40dB Except for B Taper |
| Insulation Resistance<br>絶縁抵抗                | 100MΩmin. at DC250V  |   |
| Dielectric Strength<br>耐電圧                   | AC250V for 1 minute  |   |
| Detent<br>クリック                               | Less or Center (XVJ45 Only)  |   |
| Lever Travel<br>レバー移動距離                      | 45 ±0.5 mm at XVJ45<br>60 ±0.5 mm at XVJ60<br>100 ±1 mm at XVJ100  |   |
| Sliding Force<br>しゅう動力                       | 0.05 to 1 N at (20 to 30°C ) and (20mm/s)  |   |
| Slide Stop Strength of the Lever<br>レバー移動止強度 | 50N  |   |
| Sliding Life<br>耐久性 (しゅう動)                   | 15,000cycles / XVJ100<br>30,000cycles / XVJ45, XVJ60   |   |



•Specifications in this catalog are presented basically for informative purposes.  
We request the exchange of official approval drawings before placing order.  
•当カタログは参考仕様ですので、ご使用にあたっては正式納入仕様書の取り交わしをお願いします。