

Slide Potentiometers
XVJ Series

スライドポテンシオメータ

FEATURES

- All series are united by the width of 9mm.
- Excellent slide operation feeling
- An auto dip can correspond.
- Conform RoHS

特長

- 全シリーズを9mm幅で統一
- 優れたスライド操作感
- オートディップ対応が可能です。
- RoHS適合品です。

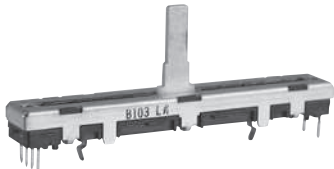
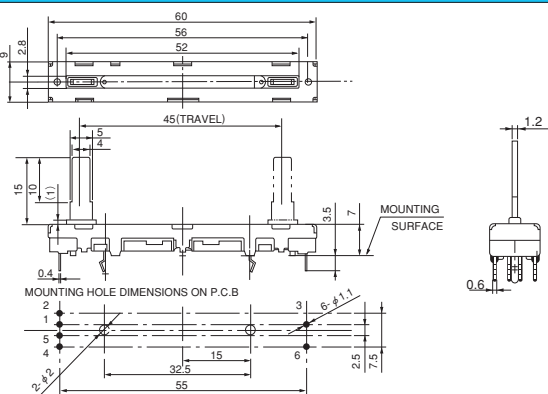
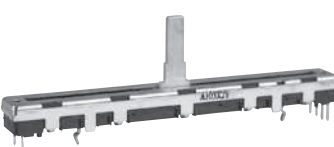
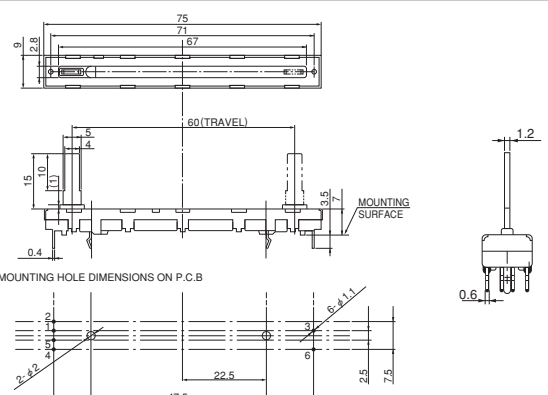

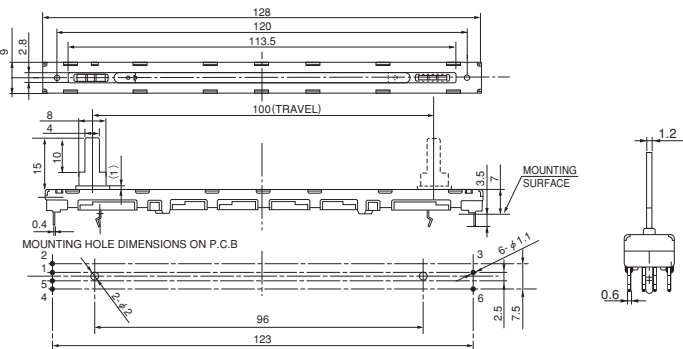
APPLICATIONS

Volume & Tone quality adjustment such as audio mixers

用途

オーディオミキサーなどの音量・音質調整

DIMENSIONS 外形寸法

Model	External Dimensions
<p>XVJ45</p> <p>(45mm Travel)</p> 	<p>Example of indicating Order Number : Single Type XVJ45NPV15C-15A20K</p> <p>Dual Type XVJ45GPV15C-15A20K</p> 
<p>XVJ60</p> <p>(60mm Travel)</p> 	<p>Example of indicating Order Number : Single Type XVJ60NPV15C-15A20K</p> <p>Dual Type XVJ60GPV15C-15A20K</p> 
<p>XVJ100</p> <p>(100mm Travel)</p> 	<p>Example of indicating Order Number : Single Type XVJ100NPV15C-15A20K</p> <p>Dual Type XVJ100GPV15C-15A20K</p> 

•Specifications in this catalog are presented basically for informative purposes.

We request the exchange of official approval drawings before placing order.

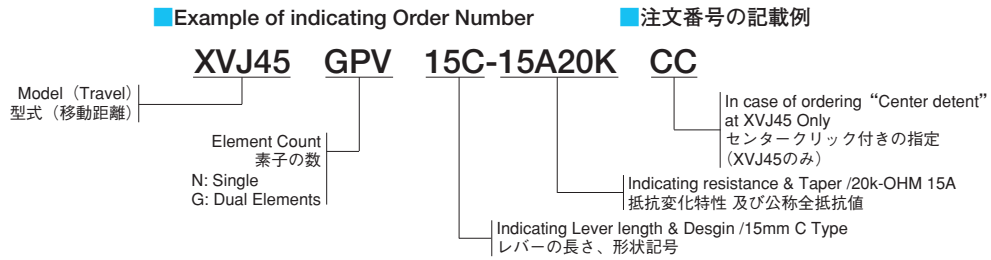
•当カタログは参考仕様ですので、ご使用にあたっては正式納入仕様書の取り交わしをお願いします。

Slide Potentiometers
XVJ Series

スライドポテンシオメータ

TYPE DESIGNATION

品名構成



SPECIFICATIONS

仕様

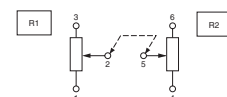
	XVJ45NPV XVJ60NPV XVJ100NPV	XVJ45GPV XVJ60GPV XVJ100GPV
	Single-Element (R2 side of the circuit is a dummy)	Dual-Elements
Operating Temperature Range 使用温度範囲	-10 to 60°C	
Rated Power 定格電力	0.05 W	
Rated Voltage 定格電圧	DC10V, AC10V	
Nominal Total Resistance 公称抵抗値	10kΩ, 20kΩ, 50kΩ, 100kΩ	
Resistance Tolerance 全抵抗値許容差	Within ±20 % of the nominal total resistance	
Resistance Taper 抵抗変化特性	1B, 3B, 15A, 15C Center Tap 3BM, 15AM (XVJ45 Only)	
Amount of the maximum attenuation 最大減衰量	75dB min. at 10kΩ (Nominal Total Resistance) 80dB min. at 20kΩ ≧ (Nominal Total Resistance) Please request at 100dB of attenuation.	
Insertion loss 挿入損失	0.1dB Max.	
Tracking Error 相互偏差	—	Within ±3dB at 0 to 40dB Except for B Taper
Insulation Resistance 絶縁抵抗	100MΩ min. at DC250V	
Dielectric Strength 耐電圧	AC250V for 1 minute	
Detent クリック	Less or Center (XVJ45 Only)	
Lever Travel レバー移動距離	45 ±0.5 mm at XVJ45 60 ±0.5 mm at XVJ60 100 ±1 mm at XVJ100	
Sliding Force しゅう動力	0.05 to 1 N at (20 to 30°C) and (20mm/s)	
Slide Stop Strength of the Lever レバー移動止強度	50N	
Sliding Life 耐久性 (しゅう動)	15,000cycles / XVJ100 30,000cycles / XVJ45, XVJ60	

● Please consult Measures goods of dustproof

● 相談を下さい 防塵の対策品

Circuit

Dual-Elements



• Specifications in this catalog are presented basically for informative purposes.
We request the exchange of official approval drawings before placing order.
• 当カタログは参考仕様ですので、ご使用にあたっては正式納入仕様書の取り交わしをお願いします。