

Metal Oxide Film Fixed Resistors
RSM Series

酸化金属皮膜固定抵抗器

FEATURES

- Having a Flame-proof coating, this insulated type will not burn under its own heat generation or by an external flame.
- Conform RoHS

特長

- 不燃性塗装絶縁形ですので、自己発熱や外部炎により燃焼しません。
- RoHS適合品です。

APPLICATIONS

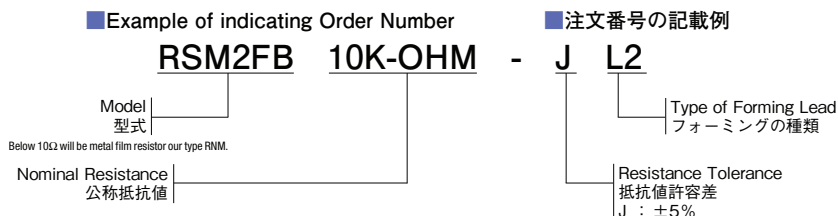
- TV, VCR, Audio, and other Consumer Equipment, as well as Printers and other Terminal Equipment, Car Audio, Communication Equipment, Measuring Equipment, and other Industrial Equipment.

用途

- テレビ、VTR、オーディオ等の民生機器およびプリンタを始めとする端末機器、電装品、通信機、計測器等の産業機器。

TYPE DESIGNATION

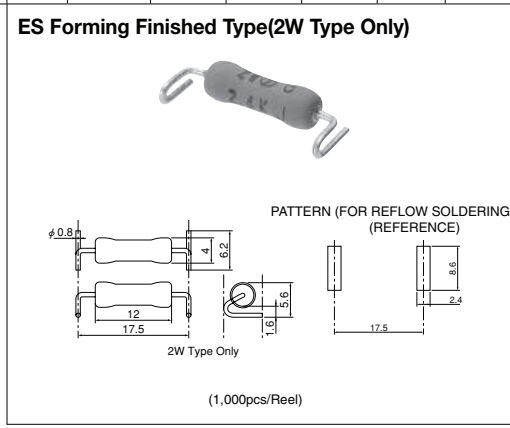
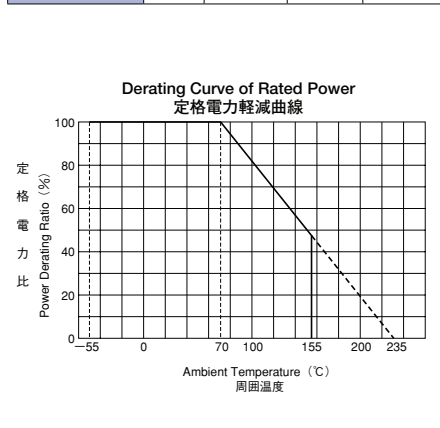
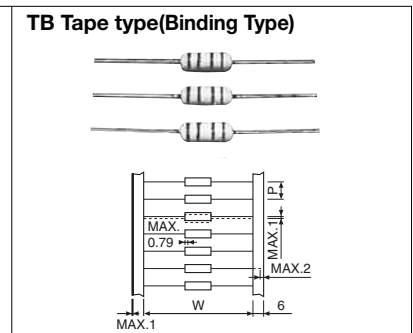
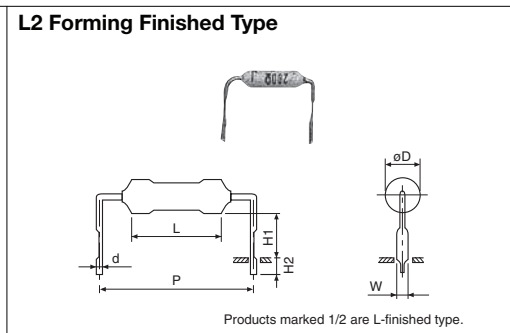
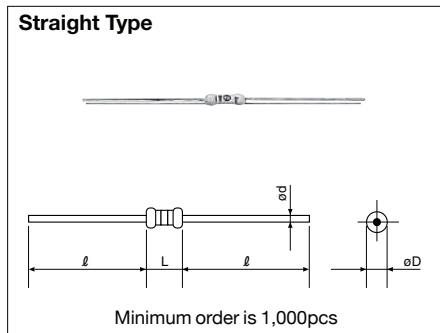
品名構成



DIMENSIONS

外形寸法

| Model | Dimensions (mm) | | | | Dimensions (mm) | | | | | | | | Dimensions (mm) | | Minimum order |
|----------|-----------------|---------|--------|--------|-----------------|---------|--------|------|------|------|----------|----------|-----------------|-----------|---------------|
| | L | D | d±0.02 | ℓ | L | D | d±0.02 | P±1 | H1±1 | H2±1 | W | W±1 | P±0.5 | | |
| RSM1/2FB | 6.4 | 2.3±0.5 | 0.6 | 27 min | 6.4 | 2.3±0.5 | 0.6 | 10.0 | 7.0 | 5.5 | 1 min | 26 or 52 | 5 | 2,000 pcs | |
| RSM1FB | 9.0 | 2.8±0.5 | 0.8 | 27 min | 9.0 | 2.8±0.5 | 0.8 | 12.5 | 7.0 | 5.5 | 1.25 min | 52 | 5 | 2,000 pcs | |
| RSM2FB | 12.0 | 4.0±1 | 0.8 | 27 min | 12.0 | 4.0±1 | 0.8 | 15.0 | 7.0 | 5.5 | 1.25 min | 52 | 5 | 2,000 pcs | |
| RSM3FB | 15.0 | 5.5±1 | 0.8 | 38±3 | 15.0 | 5.5±1 | 0.8 | 20.0 | 8.0 | 5.5 | 1.25 min | 63 | 10 | 1,000 pcs | |



• Specifications in this catalog are presented basically for informative purposes.
We request the exchange of official approval drawings before placing order.
• 当カタログは参考仕様ですので、ご使用にあたっては正式納入仕様書の取り交わしをお願いします。

RATING 定格

| Model | Rating | | | | Resistance Tolerance | Minimum order is 1,000 pcs | | | |
|----------|----------------------|------------------------------|---|-----------------------------------|----------------------|----------------------------|----|----|----|
| | Rated Power 70°C (W) | Maximum Operating Voltage(V) | Maximum Intermittent Overload Voltage (V) | Resistance Range (Ω) (E24 series) | | E24 Series Table | | | |
| RSM1/2FB | 0.5 | 250 | 500 | 0.2-47K | J(±5%) | 10 | 18 | 33 | 56 |
| RSM1FB | 1 | 350 | 750 | 0.2-68K | | 11 | 20 | 36 | 62 |
| RSM2FB | 2 | 350 | 750 | 0.2-100K | | 12 | 22 | 39 | 68 |
| RSM3FB | 3 | 350 | 750 | 0.2-120K | | 13 | 24 | 43 | 75 |
| | | | | | | 15 | 27 | 47 | 82 |
| | | | | | | 16 | 30 | 51 | 91 |

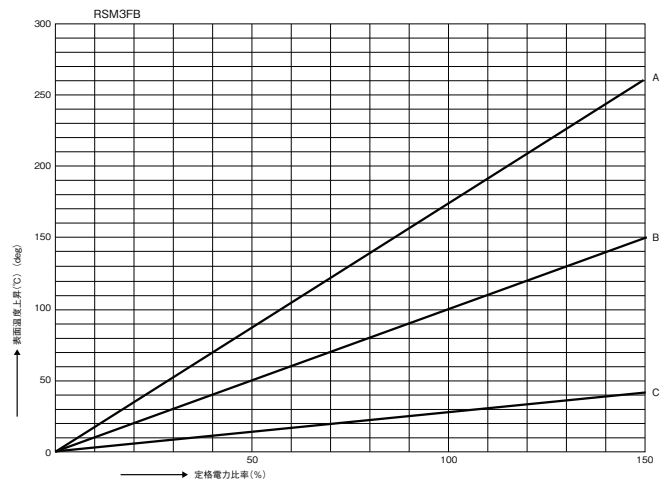
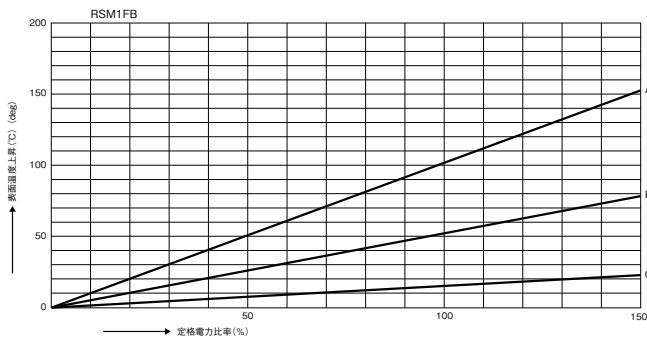
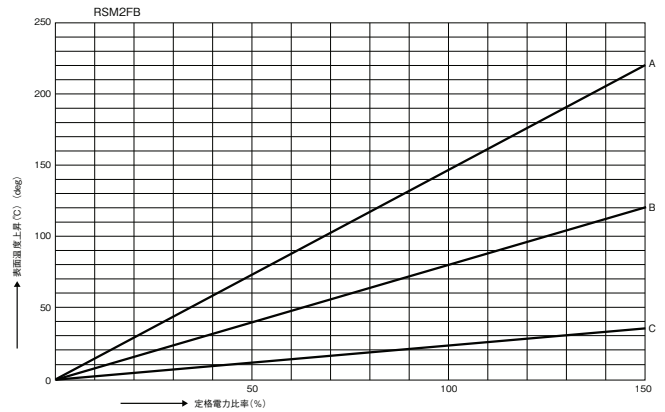
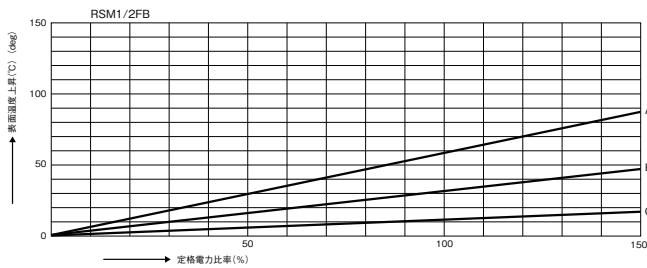
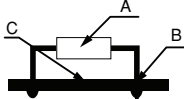
Below 10Ω will be metal film resistor our type RNM.

SPECIFICATIONS 仕様

| | |
|---|---|
| Operating Temperature 使用温度範囲 | -55 to +155°C |
| Temperature Characteristics of Resistance 抵抗温度特性 | ±350ppm/°C or Less |
| Dielectric Strength 耐電圧 | RSM1/2FB = 350V RSM 1 FB = 500V RSM 2 FB = 500V RSM 3 FB = 700V |
| Short-Ture Overload 短時間過負荷 | Witin±(2%+0.05Ω) at 5sec of Rataad Power*2.5 定格電圧2.5倍の電圧5秒間印加、30分放置後の抵抗値変化±(2%+0.05Ω)以内 |
| Solderability はんだ付け性 | 260°C at 5sec |
| Resistance to Soldering Loading 耐久性(耐湿負荷) | Witin±(5%+0.05Ω) at 1000H of the 1.5h-on 0.5-off & Rataad Power 40deg & 95%RH 温度40°C、湿度95%RH槽中、定格電圧を1.5時間負荷、0.5時間切るサイクル1000時間行った後、Witin±(5%+0.05Ω)以内 |
| Endurance(Rated Loading) 耐久性(定格負荷) | Witin±(5%+0.05Ω) at 1000H of the 1.5h-on 0.5-off & Rataad Power 70deg 温度70°C槽中、定格電圧を1.5時間負荷、0.5時間切るサイクル1000時間行った後、Witin±(5%+0.05Ω)以内 |
| Flammability 不燃性 | No evidence of flaming or self-flaming 発炎しない、または、自己発炎しない。 |

TEMPERATURE RISE CURVES 表面温度上昇

測定位置 (Test point)



- Specifications in this catalog are presented basically for informative purposes. We request the exchange of official approval drawings before placing order.
- 当カタログは参考仕様ですので、ご使用にあたっては正式納入仕様書の取り交わしをお願いします。