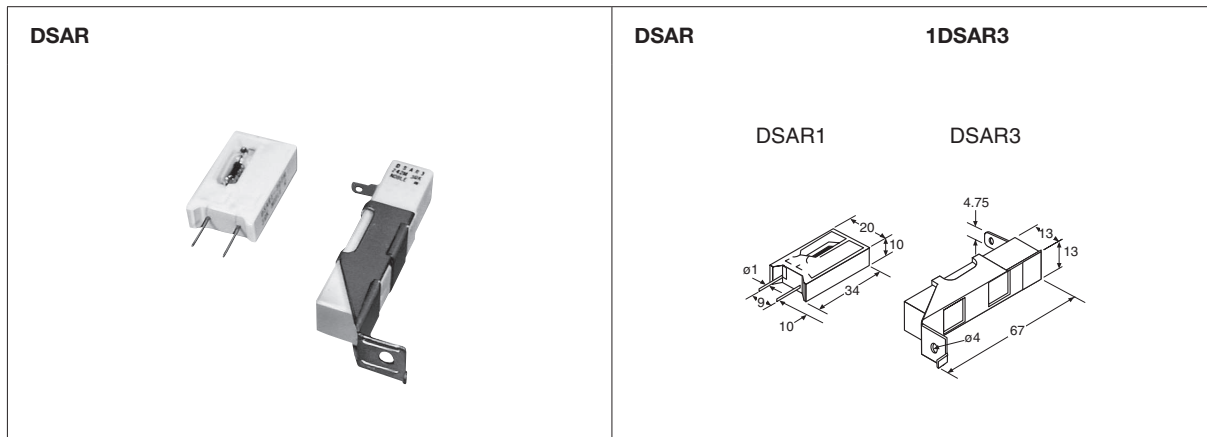


**Surge Absorber
DSAR Series**

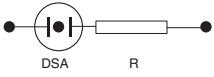
サージアブソーバ

DIMENSIONS

外形寸法


SPECIFICATION

主な仕様

Discharge strating Voltage(V)	1000,1500,2400,3000,3600
Tolerance	M($\pm 20\%$)
Insulation Resistance	108 Ω min.
V-t Characteristics	1 μ sec max. (1.2 \times 50 μ sec waveform)
Electrostatic Capacity	1pF max.
Internal Connection	 <p>DSA Discharge element R Continuous current blocking resistor</p>

(Example) DSAR3FV242MA-10-OHM-K

- Specifications in this catalog are presented basically for informative purposes.
We request the exchange of official approval drawings before placing order.
- 当カタログは参考仕様ですので、ご使用にあたっては正式納入仕様書の取り交わしをお願いします。