

Surge Resistor
RMH series

耐サージ抵抗器

FEATURES

- RMH is a resistor by which the circuit damage by the rushing into current such as the inducement thunders is reduced.
- Recognition passing goods of UL,BSI,VDE standard.
- Conform RoHS

特長

- 誘導雷などの突入電流による回路ダメージを軽減する抵抗器です。
- UL、BSI、VDE規格の認定合格品。
- RoHS適合品です。

APPLICATIONS

Power supply circuit, High voltage circuit, etc

用途

電源回路、高電圧回路など。

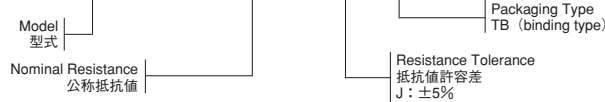
TYPE DESIGNATION

品名構成

Example of indicating Order Number

注文番号の記載例

RMH05FB 1M-OHM - J - TB



DIMENSIONS

外形寸法

Order Number (Example)	Dimensions	Unit:mm																
RMH025FB1M-OHM-J RMH05FB100k-OHM-J RMH1FB8.2M-OHM-J																		
	<table border="1"> <thead> <tr> <th>Model</th> <th>L</th> <th>D</th> <th>l</th> </tr> </thead> <tbody> <tr> <td>RMH025FB</td> <td>6.4±1</td> <td>2.3±0.5</td> <td>25±3</td> </tr> <tr> <td>RMH05FB</td> <td>9.0±1</td> <td>2.8±0.5</td> <td>25±3</td> </tr> <tr> <td>RMH1FB</td> <td>9.5±1</td> <td>3.5±0.5</td> <td>25±3</td> </tr> </tbody> </table>	Model	L	D	l	RMH025FB	6.4±1	2.3±0.5	25±3	RMH05FB	9.0±1	2.8±0.5	25±3	RMH1FB	9.5±1	3.5±0.5	25±3	
Model	L	D	l															
RMH025FB	6.4±1	2.3±0.5	25±3															
RMH05FB	9.0±1	2.8±0.5	25±3															
RMH1FB	9.5±1	3.5±0.5	25±3															

SPECIFICATION

仕様

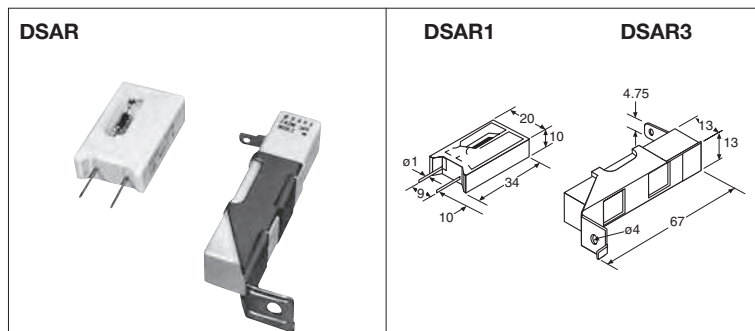
	RMH025FB	RMH05FB	RMH1FB
Rated Power 定格電力	0.25W	0.5W	1W
Resistance Range 抵抗値範囲	56kΩ~8.2MΩ (E12 Series)	82kΩ~10MΩ *1 (E12 Series)	1MΩ~33MΩ (E12 Series)
Resistance Tolerance 抵抗値許容差	J (±5%)	J (±5%)	J (±5%)
Maximum Operating Voltage 最高使用電圧	700V	700V	4,000V
Maximum Intermittent Overload Voltage 最高断続過負荷電圧	1,000V	1,000V	5,000V
Temperature Characteristics of Resistance 抵抗温度特性	±350ppm/℃		
Anti-surge Test 耐サージ	10,000pF 3KV 10cycle	10,000pF 10KV 10cycles at 100kΩ~. 1,000pF 10KV 50cycles at 1MΩ~.	1,000pF 10KV 50cycle
Safety Standard 安全規格	-	UL1676 * 1:UL Reference is 1MΩ~10MΩ (Resistance Range.)	VDE,BS I

Surge Absorber
DSAR Series

サージアブソーバ

DIMENSIONS

外形寸法



SPECIFICATION

主な仕様

Discharge strating Voltage(V)	1000,1500,2400,3000,3600
Tolerance	M(±20%)
Insulation Resistance	10 ⁹ Ω min.
V-t Characteristics	1μsec max. (1.2×50μsec waveform)
Electrostatic Capacity	1pF max.
Internal Connection	 DSA Discharge element R Continuous current blocking resistor

(Example) DSAR3FV242MA-10-OHM-K

- Specifications in this catalog are presented basically for informative purposes. We request the exchange of official approval drawings before placing order.
- 当カタログは参考仕様ですので、ご使用にあたっては正式納入仕様書の取り交わしをお願いします。