
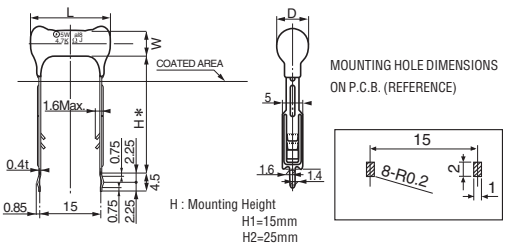

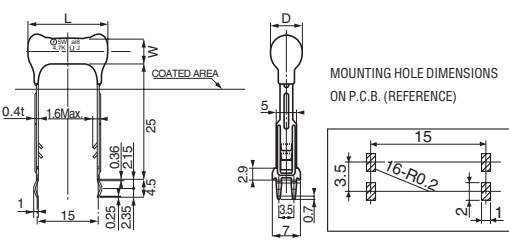
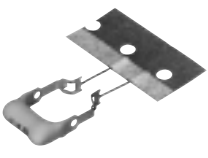
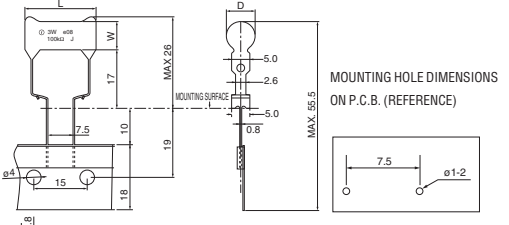

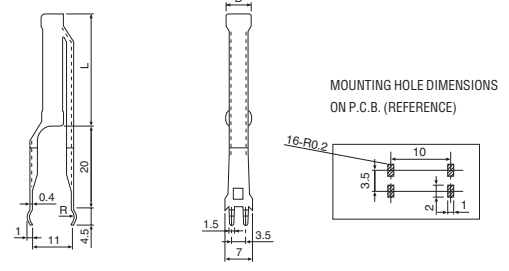


# Metal Oxide Film Fixed Resistors RS Series

# 酸化金属被膜固定抵抗器

<b>RSS□FB-H□</b>	 
<b>RSS□FB-DH2</b>	 
<b>RSS□FB-T</b> (Radial Taping)	  <p>Minimum Acceptable Unit (500 PCS/Box)</p>
<b>RSV□FB-DH</b>	 

## FEATURES

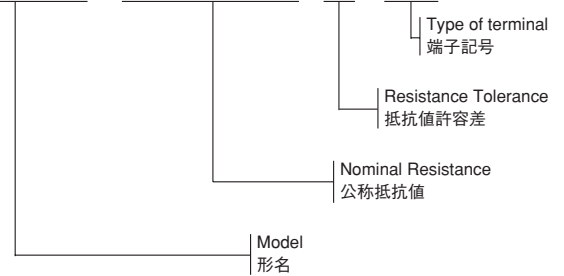
- These vertical mount resistors are equipped with self-standing, snap-in terminals having many advantages:
  - The surface area of the terminals has been increased which enhances their heat dissipating capacity.
  - The difference in thermal conductivity between the lead material (Cu) and the snap-in terminal (Fe) creates a lower board temperature rise.
  - Increased terminal strength in comparison to standard axial leaded resistors.
- Valuable board space is greatly increased.
- These resistors exhibit a low inductive component with excellent high frequency response.
- Conform RoHS

## 特長

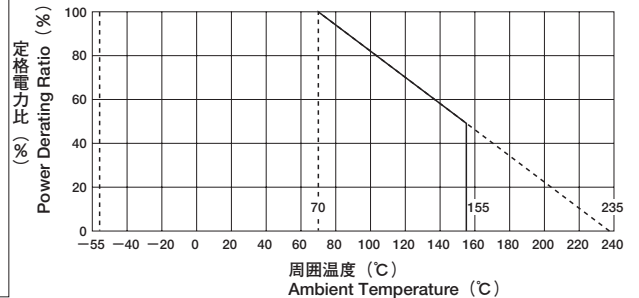
- スナップイン端子を装着した自立型です。
- リード線端子からスナップイン端子に変更することにより
  - 端子の表面積が大きくなり放熱性が向上しました。
  - リード線端子の材質 (Cu) とスナップイン端子の材質 (Fe) との熱伝導の差が基板の温度上昇を減少させました。
  - 端子強度が向上しました。
- 軽量、小型タイプでスペースファクターが向上しました。
- インダクタンス分が小さく高周波特性に優れています。
- RoHS適合品です。

## Example of Order Number

**RSV7FB 6.8K-OHM - J DH**



## Derating Curve of Rated Power at RSS & RSV 定格電力軽減曲線



## RATINGS AND DIMENSIONS

Model	Rated Power(W)	Maximum Operating Voltage (V)	Maximum Continuous Overload Voltage(V)	Maximum Intermittent Overload Voltage(V)	Resistance Range (Ω) E24 Series	Resistance Tolerance	Dimensions(mm)				
							L	D	W		
RSS3FB	3	500	600	750	0.22 to below 10 (E12 Series)	K(±10%)	17	7.0	7.0	Minimum order is 1,000 pcs	
					10-100K (E24 Series)	J(±5%)					
RSS5FB	5	500	800	1500	1 to below 10 (E12 Series)	K(±10%)	17.5	7.5	7.5		Minimum order is 1,000 pcs
					10-100K (E24 Series)	J(±5%)					
RSV5FB	5	500	800	1500	1 to below 10 (E12 Series)	K(±10%)	20	8.0		Minimum order is 1,000 pcs	
					10-100K (E24 Series)	J(±5%)					
RSV7FB	7	500	800	1500	1 to below 10 (E12 Series)	K(±10%)	30	8.0			Minimum order is 1,000 pcs
					10-100K (E24 Series)	J(±5%)					

※RNS type (metal film type) is supplied for 3W, ratings at less than 1Ω.

- Specifications in this catalog are presented basically for informative purposes. We request the exchange of official approval drawings before placing order.
- 当カタログは参考仕様ですので、ご使用にあたっては正式納入仕様書の取り交わしをお願いします。

# Metal Oxide Film Fixed Resistors

## RSM Series

### FEATURES

- Having a Flame-proof coating, this insulated type will not burn under its own heat generation or by an external flame.
- Conform RoHS

### 特長

- 不燃性塗装絶縁形ですので、自己発熱や外部炎により燃焼しません。
- RoHS適合品です。

### APPLICATIONS

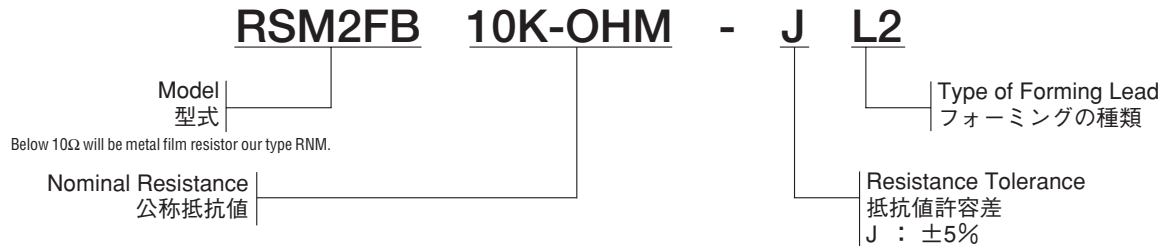
- TV, VCR, Audio, and other Consumer Equipment, as well as Printers and other Terminal Equipment, Car Audio, Communication Equipment, Measuring Equipment, and other Industrial Equipment.

### 用途

- テレビ、VTR、オーディオ等の民生機器およびプリンタを始めとする端末機器、電装品、通信機、計測器等の産業機器。

### Example of indicating Order Number

### 注文番号の記載例



Model	Dimensions (mm)				Dimensions (mm)								Dimensions (mm)		Minimum order
	L	D	d±0.02	φ	L	D	d±0.02	P±1	H1±1	H2±1	W	W±1	P±0.5		
RSM1/2FB	6.4	2.3±0.5	0.6	27 min	6.4	2.3±0.5	0.6	10.0	7.0	5.5	1 min	26 or 52	5	2,000 pcs	
RSM1FB	9.0	2.8±0.5	0.8	27 min	9.0	2.8±0.5	0.8	12.5	7.0	5.5	1.25 min	52	5	2,000 pcs	
RSM2FB	12.0	4.0±1	0.8	27 min	12.0	4.0±1	0.8	15.0	7.0	5.5	1.25 min	52	5	2,000 pcs	
RSM3FB	15.0	5.5±1	0.8	38±3	15.0	5.5±1	0.8	20.0	8.0	5.5	1.25 min	63	10	1,000 pcs	

#### Straight Type

Minimum order is 1,000pcs

#### L2 Forming Finished Type

Products marked 1/2 are L-finished type.

#### TB Tape type(Binding Type)

#### ES Forming Finished Type(2W Type Only)

PATTERN (FOR REFLOW SOLDERING) (REFERENCE)

2W Type Only

(1,000pcs/Reel)

#### Derating Curve of Rated Power

定格電力軽減曲線

Power Derating Ratio (%)

Ambient Temperature (°C)  
周囲温度

Model	Rating					Minimum order is 1,000 pcs			
	Rated Power 70°C (W)	Maximum Operating Voltage(V)	Maximum Intermittent Overload Voltage (V)	Resistance Range (Ω) (E24 series)	Resistance Tolerance	E24 Series Table			
RSM1/2FB	0.5	250	500	0.2-47K	J (±5%)	10	18	33	56
RSM1FB	1	350	750	0.2-68K		11	20	36	62
RSM2FB	2	350	750	0.2-100K		12	22	39	68
RSM3FB	3	350	750	0.2-120K		13	24	43	75
						15	27	47	82
						16	30	51	91

Below 10Ω will be metal film resistor our type RNM.