

# Power Switch (Rocker Type) SZ Series

## FEATURES

- The installation method is snap-Inn.
- Conform RoHS

## APPLICATIONS

Television, monitors, AV system and electronic equipment.


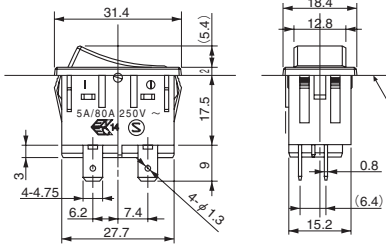
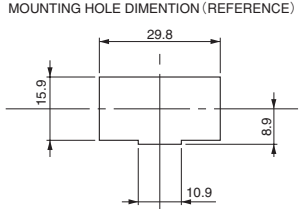
# 交流電源スイッチ (シーソー操作)

## 特長

- 取付け方法は、スナップインです。
- RoHS適合品です。

## 用途

テレビ、モニターテレビ、AV機器など

<b>SZ01</b>	Example of Order Number : SZ01 (U2D3)	
 (Lead-wiring Terminal) (DPST)		MOUNTING HOLE DIMENTION (REFERENCE)  The thickness of the installation board is 1.5mm

# Power Switches (Push-Lock type) SY Series

## FEATURES

- 2.5mm stroke which checks visually and is good.
- Conform RoHS

## APPLICATIONS

Television, monitors, AV system and other electronic equipment.

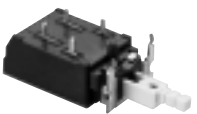
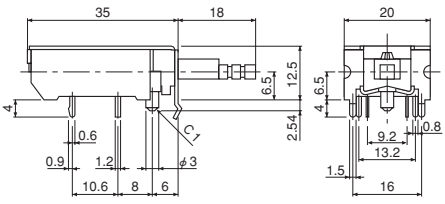
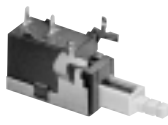
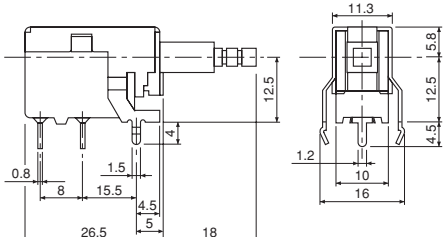
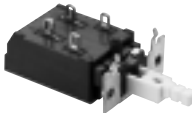
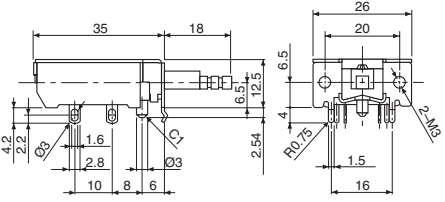
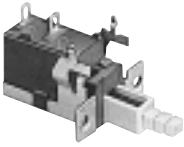
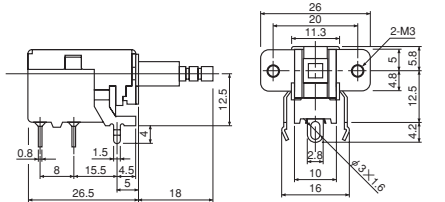
# 交流電源スイッチ (プッシュ操作)

## 特長

- 視認性の良い2.5mmストローク操作
- RoHS適合品です。

## 用途

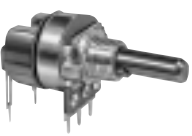
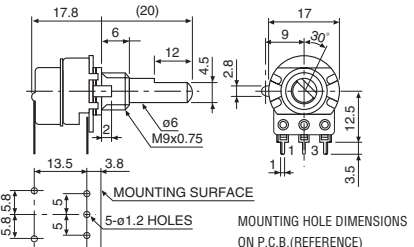
テレビ、モニターテレビ、AV機器など

<b>SY172-1</b>	Example of Order Number : SY172-1(U1D1)		<b>SY162-1-2</b>	Example of Order Number : SY162-1-2(U99S2)	
 (PCB Terminal) (DPST)			 (PCB Terminal) (SPST)		
<b>SY172-2-2</b>	Example of Order Number : SY172-2-2(U1D1)		<b>SY162-2-4</b>	Example of Order Number : SY162-2-4(U99S2)	
 (Lead-wiring Terminal) (DPST)			 (Lead-wiring Terminal) (SPST)		

# Power Switches (with Potentiometer)

## FEATURES

- Conform RoHS

<b>VB16L43EAPHs (A39S1PHD)</b>	Example of Order Number : VB16L43EAPHDS(A39S1PHD-TV3)20F(BC)-15A10K	
 (Rotary type) (PCB Terminal) (Insulated Shaft)		

# 交流電源スイッチ (可変抵抗器付き)

## 特長

- RoHS適合品です。

## SPECIFICATIONS(Potentiometer)

	VB16L43EAPHs
<b>Total Resistance Angle</b>	300 ± 5°
<b>Nominal Total Resistance</b>	1k to 1MΩ (B) 5k to 500kΩ (15A)
<b>Total Resistance Tolerance</b>	Within ± 20%
<b>Rated Power</b>	0.2W (B), 0.1W (15A)
<b>Maximum Operating Voltage</b>	200V AC/10V DC (B) 150V AC/10V DC (15A)

## SZ Series

Operation	Model	Switch Type (Safety Standard Listed Type)	Pole & Throw	Terminals			Listed rating under Safety Standards		
				Lead wiring	PCB	Quick-Connect (Tab)	UL/c-UL	SEMKO	ENEC
Rocker Types	SZ01	U2D3	DPST	—	—	available	TV5	5A/80A 250V~ Class II	5A/80A 250V~ Class II

## SY Series

Operation	Model	Switch Type (Safety Standard Listed Type)	Pole & Throw	Terminals			Listed rating under Safety Standards		
				Lead wiring	PCB	Quick-Connect (Tab)	UL/c-UL	SEMKO	ENEC
Push-Lock Types	SY162	U99S2	SPST	available	available	—	TV5, 5A 250V A.C	5A/80A 250V~ Class II	5A/80A 250V~ Class II
		U99S1					TV3, 3A 250V A.C	4A/32A 250V~ Class II	4A/32A 250V~ Class II
	SY172	U1D1	DPST	available	available	—	TV8, 5A 250V A.C	8A/128A 250V~ Class II	8A/128A 250V~ Class II
		U1S1	SPST						

## VB16L43S

Operation	Model	Switch Type (Safety Standard Listed Type)	Pole & Throw	Terminals			Rating for appliances	Listed rating under Safety Standards			
				Lead wiring	PCB	Quick-Connect (Tab)		UL	CSA	SEMKO	ENEC
Rotary Types	VB16L43S	① A39S1	SPST	available	available	—	3A 125V A.C	TV3	TV3	—	—
		② B39S1	SPST					—	—	—	—

① Order Number Example : VB16L43EAPHDS (A39SIPHD-TV3) 20F (BC)-15A10K

② Order Number Example : VB16L43EPHDS (B39SIPHD-AC125V3A) 20F (BC)-15A10K

## SPECIFICATION

## 仕様

	SZ01	SY162	SY172	A39S1	B39S1
Operating Temperature Range 使用温度範囲	-10 to 60°C	0 to 70°C	0 to 70°C	-10 to 70°C	
IEC Listed Ambient Temperature Range IEC登録周囲温度範囲	0 to 70°C (or 55°C)	0 to 70°C	0 to 70°C	—	
Contact Resistance 接触抵抗	Not more than 100mΩ				
Insulation Resistance 絶縁抵抗	Not less than 100MΩ at DC500V				
Withstand Voltage 耐電圧	Between each terminals AC 1500 V for 1 minute 端子間 AC1500Vで1分間	Between each terminals Rated voltage < AC 250V AC 1500V for 1 minute Rated voltage ≥ AC 250V AC 2000V for 1 minute 端子間 AC250V未満 : AC1500Vで1分間 AC250V以上 : AC2000Vで1分間	Between each terminals Rated voltage < AC 250V AC 1500V for 1 minute Rated voltage ≥ AC 250V AC 3000V for 1 minute 端子-取付板間 AC250V未満 AC1500Vで1分間 AC250V以上 AC3000Vで1分間	Withstand Voltage of Potentiometer section AC 500 V for 1 minute 可変抵抗器部の耐電圧 AC500Vで1分間	
	Between the frame and terminals AC 3000 V for 1 minute 端子-ケース間 AC3000Vで1分間	Between the frame and terminals Rated voltage < AC 250V AC 1500V for 1 minute Rated voltage ≥ AC 250V AC 3000V for 1 minute 端子-取付板間 AC250V未満 AC1500Vで1分間 AC250V以上 AC3000Vで1分間		Withstand Voltage of Switch section AC 1000 V for 1 minute スイッチ部の耐電圧 AC1000Vで1分間	
Travel ストローク	5.1mm	Full travel = 3.5 ± 0.5mm Lock travel = 2.5 ± 0.5mm		Rotational angle of Switch section 50 ± 10° (300 ± 5° for Total angle)	
Operating Force 動作力	3 ± 1.75 N	4 ± 1.5 N (U99S1) 6 ± 1.5 N (U99S2)	4.5 ± 1.5 N	Rotational torque of Switch section 80mN·m max.	
Push-Pull Strength of the Shaft シャフトの押し、引っ張り強さ	Push strength 25 N	Pull strength 20 N	Pull strength 50 N	Rotational stop Strength of the Shaft 0.6N·m	
Endurance 耐久性	Depends on regulation of each safety standard それぞれの安全規格による				

● Specifications in this catalog are presented basically for informative purposes.

We request the exchange of official approval drawings before placing order.

● 当カタログは参考仕様ですので、ご使用にあたっては正式納入仕様書の取り交わしをお願いします。