

Rotary Encoders XRE Series



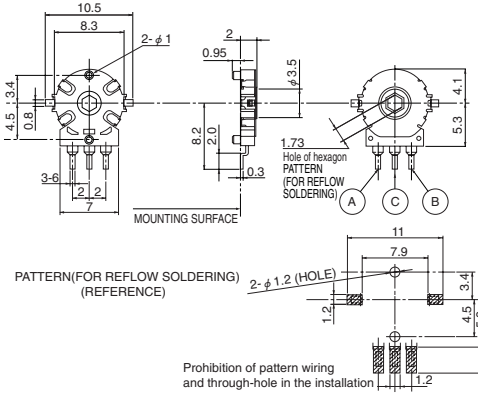

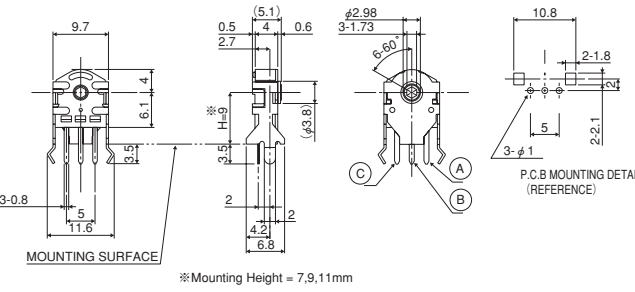

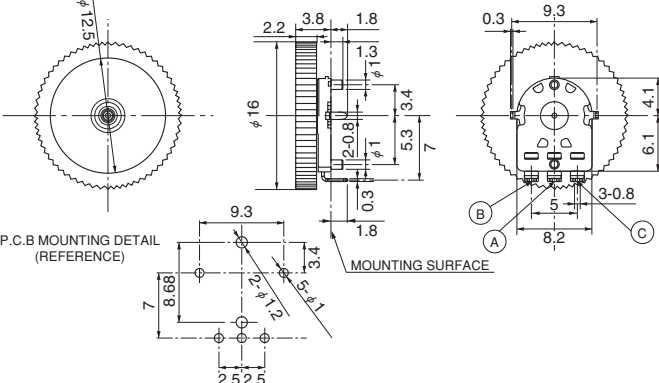
ロータリエンコーダ

FEATURES

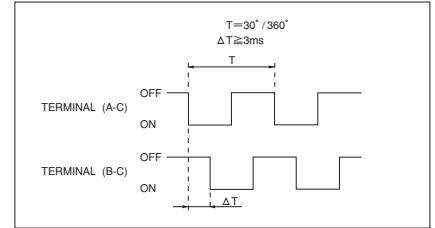
- Conform RoHS

特長

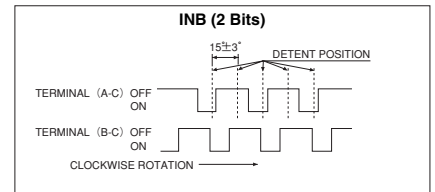
- RoHS適合品です。

XRE081	Example of Order Number : XRE081PH1 INA1-2-12E
<p>(Reflow soldering type) (Shaft of hollow type)</p>  <p>1,100pcs/Reel</p> 	 <p>Prohibition of pattern wiring and through-hole in the installation</p>
XRE091	Example of Order Number : XRE091PHLSLINB1-2-12-24PCE
<p>(Shaft of hollow type)</p> 	 <p>※Mounting Height = 7,9,11mm</p>
XRE094	Example of Order Number : XRE094PVBINB1-2-12E-7013
<p>(With Knob)</p> 	

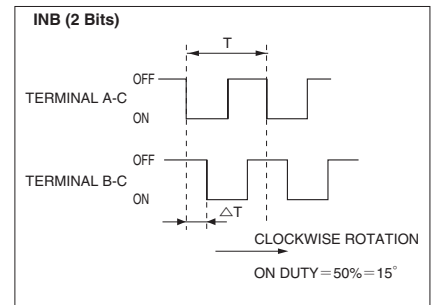
INCREMENTAL OUTPUT SIGNAL (for XRE081)



INCREMENTAL OUTPUT SIGNAL (for XRE091)



INCREMENTAL OUTPUT SIGNAL (for XRE094)



※Without detent

SPECIFICATIONS

	XRE081	XRE091	XRE094
Type of Output Signal 出力信号の種類	INA (2 Bits)	INB (2 Bits)	INB (2 Bits)
Operating Temperature Range 使用温度範囲	-10 to 70°C	-10 to 70°C	-10 to 70°C
Rated Voltage/Rated Current 定格電圧/電流	DC 5V 0.5mA	DC 5V 0.5mA	DC 5V 0.5mA
Resolution 分解能	12 Pulses/360°	12 Pulses/360°	12 Pulses/360°
Total Rotational Angle 全回転角度	360° Endless	360° Endless	360° Endless
Detent Position and Angle クリック数、角度	without detent	24 Detents 15 ± 3°	without detent
Detent Torque クリックトルク	6 mN·m max	1.5 to 15 mN·m	0.3 to 6 mN·m
Rotational Life 耐久性 (しゅう動)	10,000 cycles	100,000 cycles	10,000 cycles

Circuit to be used

